



133089 (TC1400EN)

Hot Cupboard, with 1 shelf and 2 sliding doors, (4 feet), 1400mm

Main Features

- Ideal for central positioning in the kitchen.
- Digital display thermostat to control the internal temperature.
- Model specific to keep dishes warm.
- Handles in stainless steel for better hygiene and reliability.
- Sturdiness, stability and reliability of table accurately tested.

Construction

- Inner welded frame in stainless steel to guarantee superior strength and stability.
- Intermediate shelf in stainless steel with riveted corners and trasversal reinforcement in stainless steel.
- 100 mm upstand with 10 mm radioused corner and 13 mm deep, designed to be used against a wall.
- Base panel has 40mm high profile, is 8/10 in thickness with upturned edges and bar reinforcement. It is welded to legs for further structure reinforcement
- Base panel in AISI 304 stainless steel, 10/10 in thickness reinforced by 15/10 support bars in AISI 304.
- Heavy duty construction entirely in AISI 304 stainless steel to offer maximum durability.
- 304 AISI stainless steel feet, 150 mm high and 54 mm in diameter, adjustable by -35/+25 mm.





A focus on sustainability

Certifications & Recognitions



Product assessed by the manufacturer and deemed to meet EU safety, health, and environmental protection requirements.



Find out more:
[ISO Certificates](#)
[Electrolux Professional Recognitions](#)

The company reserves the right to make modifications to the products without prior notice. All information correct at time of printing.

2026/07/03

2/5

Technical specifications

Electric

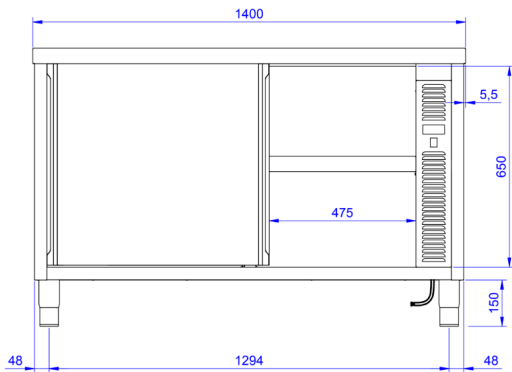
Supply voltage:	220-240 V/1N ph/50/60 Hz
-----------------	--------------------------

Key Information:

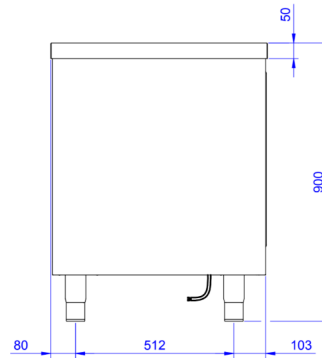
Cabinet width:	1230 mm
Cabinet depth:	645 mm
Cabinet height:	610 mm
Cabinet temperature:	50-75 °C
External dimensions, Width:	1400 mm
External dimensions, Depth:	700 mm
External dimensions, Height:	900 mm
Number and type of doors:	2 Sliding
Worktop thickness:	50 mm
Net weight:	60 kg

Installation drawings

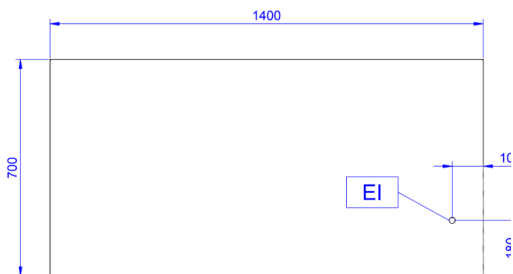
Front



Side



Top



EI = Electrical inlet (power)

Accessories

Optional Accessories

PNC Code	Description
Feet, wheels and ramps	
855299	Wheel kit for cupboards, 4 wheels (2 with brakes), D=100 mm
Shelves	
132966	Overshelf, neutral, one tier, 1400 mm
132990	Overshelf, with led light and ceramic light, one tier, 1400mm

Recommended Detergents

PNC Code	Description
0S2881	S01 STAINLESS STEEL SURFACE POLISHER; 6 BOTTLES X 750ML C/T
0S2883	S03 ALCOHOL BASE DETERGENT; 6 BOTTLES X 750ML; ADR&IMDG&IATA Limited Quantity
0S2884	S04 Glasses & Hard Surfaces Cleaner, 6 x 750ml bottles
0S3257	S05 - MULTIPURPOSE DEGREASER; 6PCS X 750ML; ADR&IMDG Limited Quantity